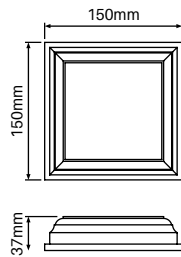


# SEMI PRIVACY FENCING INSTALL GUIDE



## 2 part domical cover

Order Code: HF-SEMIP-DC



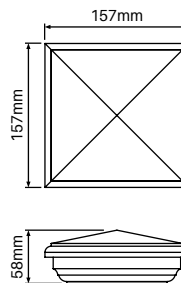
## TECH SPECS

- 2 part domical cover - suits 102x102mm post
- Can fitted after post and panels installed.
- 2 parts neatly clip together
- White UV stabilised PVC with protective titanium dioxide additives
- Provides a stylish post finish



## English style cap

Order Code: HF-SEMIP-EC



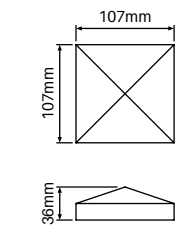
## TECH SPECS

- Press on external fit cap
- 'English' style cap with tapered top provides a decorative finish
- White UV stabilised PVC with protective titanium dioxide additives
- Use silicone for long term binding



## Slimline tapered cap

Order Code: HF-SEMIP-STC

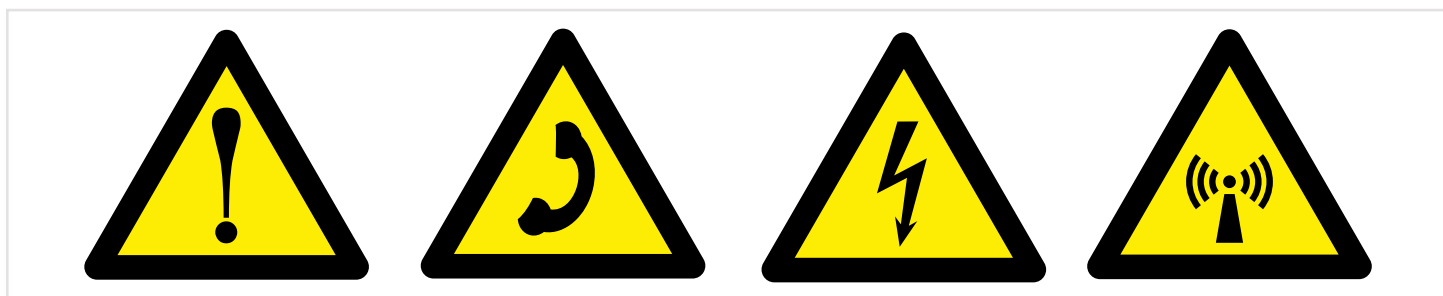
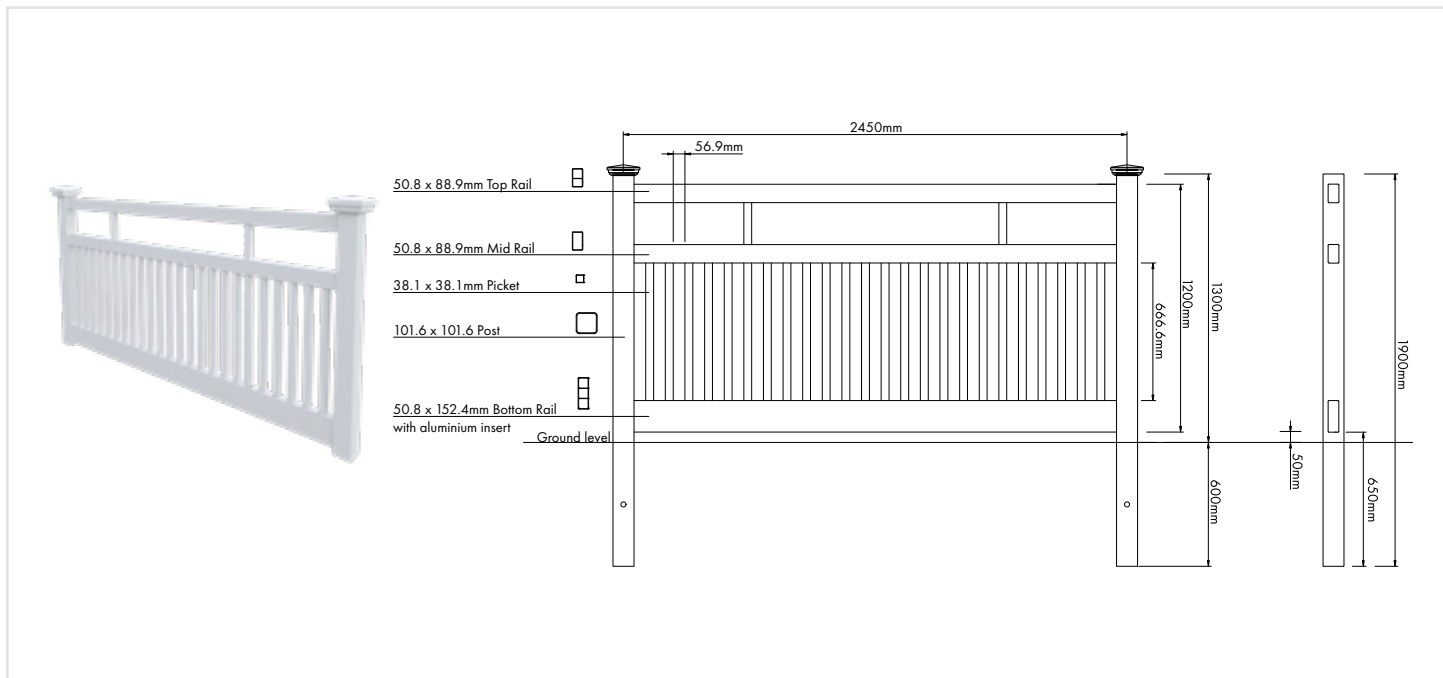


## TECH SPECS

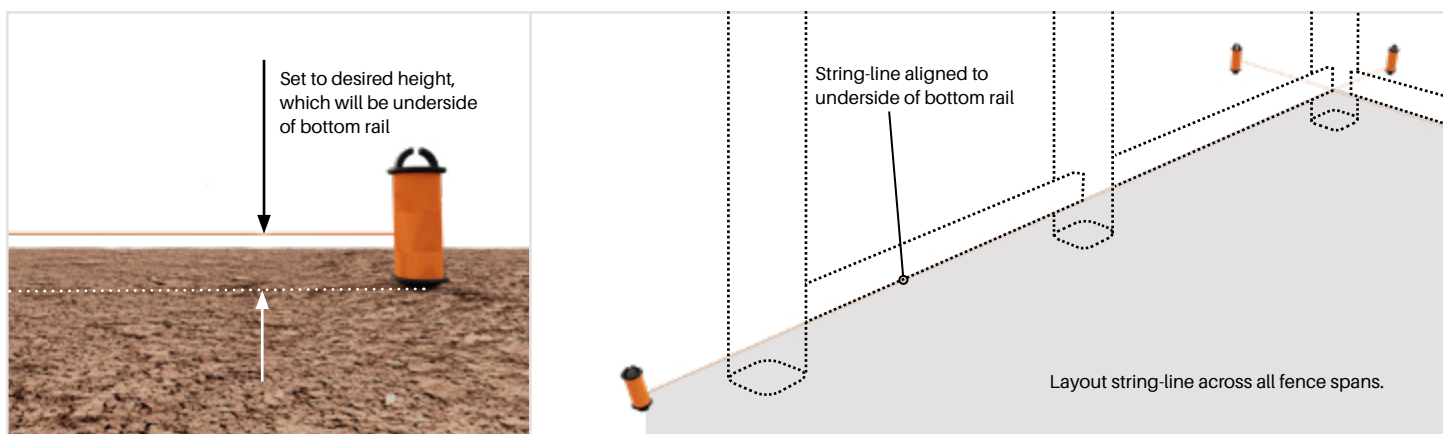
- Press on external fit cap
- Slimline tapered cap for minimalist post finishing
- White UV stabilised PVC with protective titanium dioxide additives
- Use silicone for long term binding



# SEMI PRIVACY FENCING INSTALL GUIDE

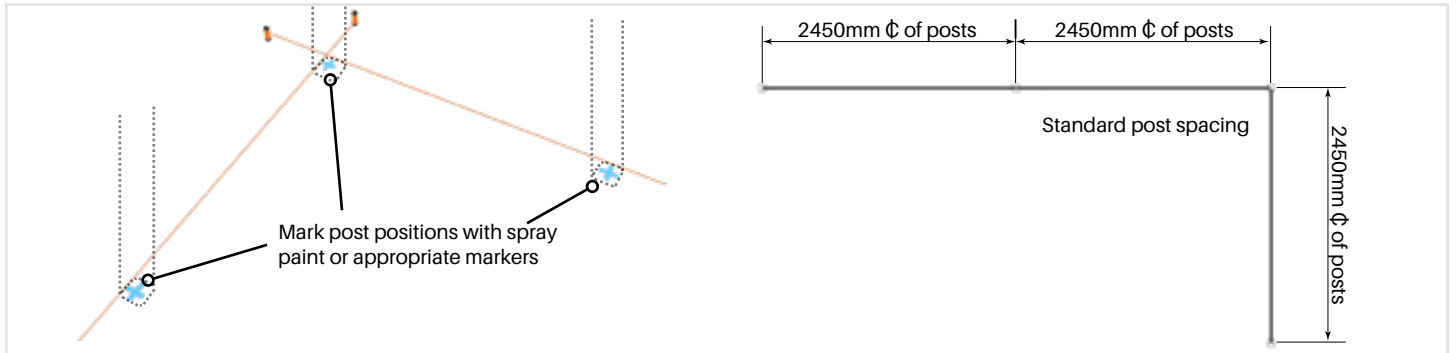


- 1 Check for any utility lines in ground before digging as well as observing property boundaries and council regulations where appropriate.

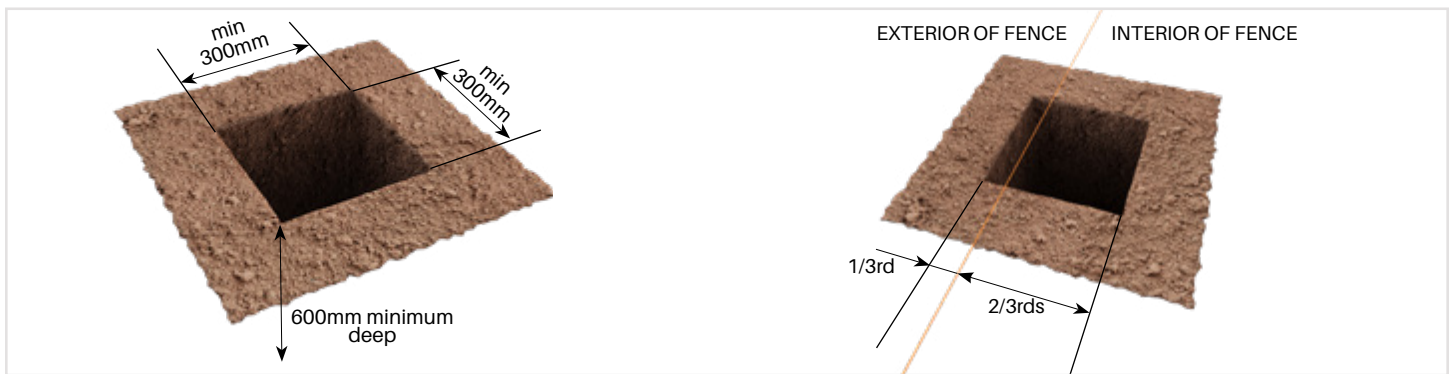


- 2 Assess layout of fence and set out string line around outside perimeter of fence. The string must be positioned along the outside perimeter of your posts. Ensure allowance made for digging post holes and concreting within your property boundaries and to avoid utility lines. Set the height of the string-line to the desired height of the underside of the bottom fence rail. A gap under the bottom rail of 50mm is standard, however adjust as needed for each specific install location.

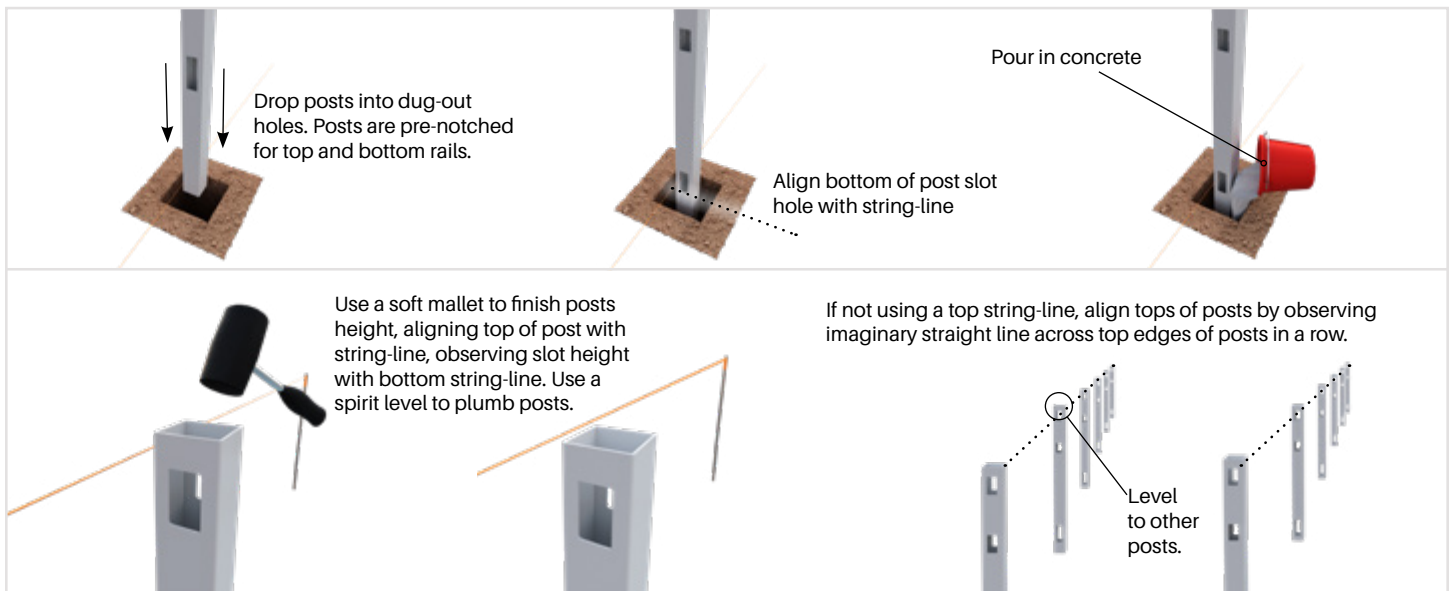
# SEMI PRIVACY FENCING INSTALL GUIDE



- 3** Mark post to post centres using appropriate markings such as spray paint or stakes. Standard fence panel post centres are at 2450mm. If using shorter spans, space posts appropriately. Posts are 102x102mm square.



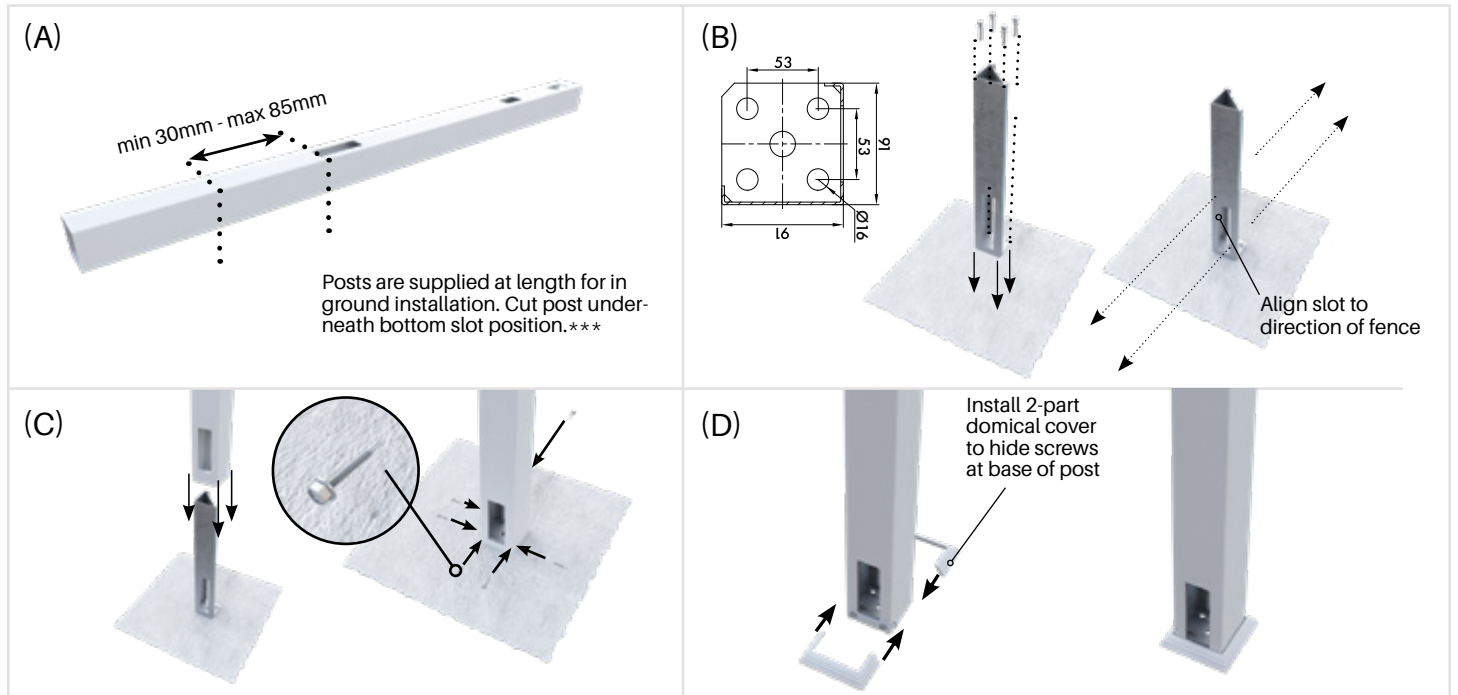
- 4** For in-ground installation dig holes for posts minimum 600mm deep by 300x300mm wide. Hole positioning should be dug so that posts can be inserted against string-line by digging the holes approximately 2/3rds inside the string-line. Refer above right image. Holes for posts should be minimum 600mm deep. If using base plated posts ignore above step and refer next page.



- 5** For FENCE POSTS:  
Set posts into ground ensuring appropriate gap at bottom (refer Step 2). Pour in concrete. For end posts use 1 way post, for in-line posts use 2 way and for corners use 90° posts.  
Use a soft mallet with a wooden block on the top of the fence posts to drive the post into the wet concrete to the desired height, aligning with both top and bottom string lines. If not using top string line, assess height of posts in a line by eye (illustrate).  
Check posts plumb using a spirit level and adjust as necessary.  
Allow concrete to set before installing panels.
- 6** For GATE POSTS ONLY:  
Gate posts sold with aluminium inserts for rigidity. Use gate posts for both hinge and latch sides of gate. Pay attention to orientation of slots on post, ensuring rail slots face away from the gate opening.  
Plumb using a spirit level and adjust height and angle as necessary before concrete cures.

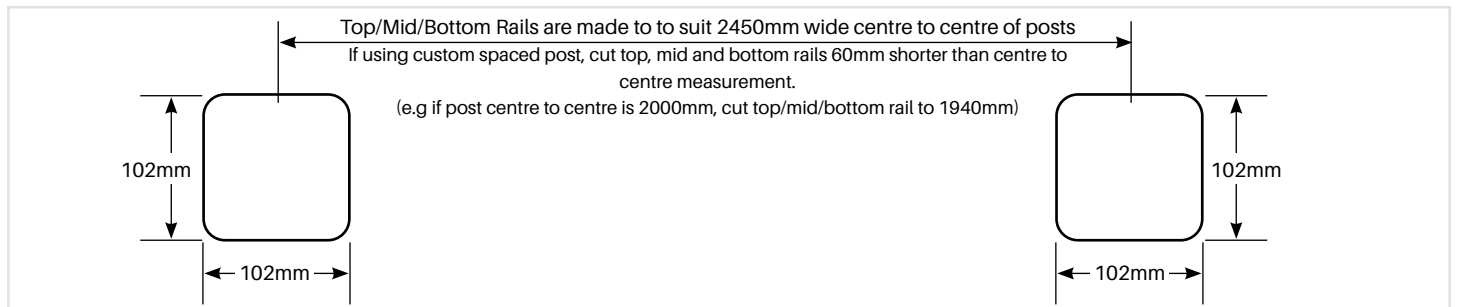
# SEMI PRIVACY FENCING INSTALL GUIDE

## THIS SECTION RELATES TO BASE PLATED POSTS

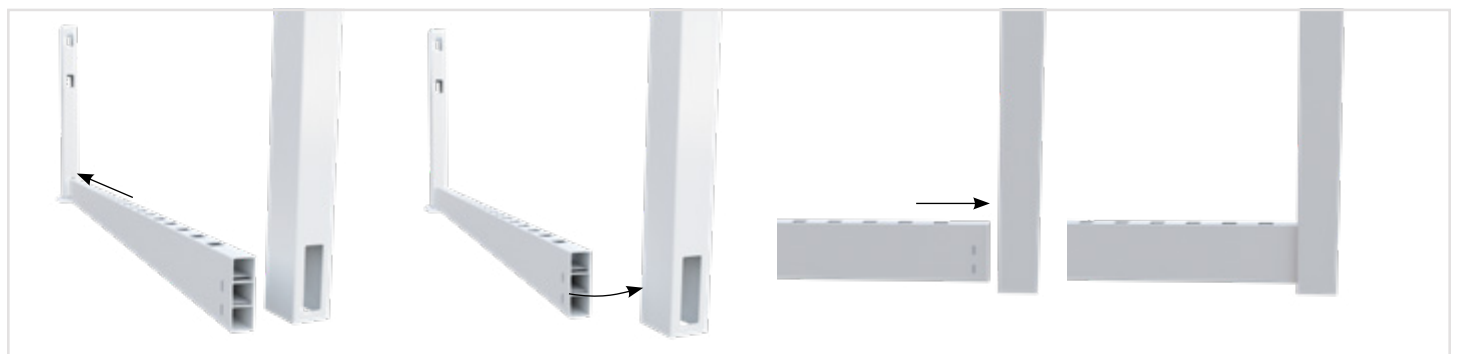


### \*\* BASE PLATED POSTS ONLY:

- (A) Cut posts to required length - cut post underneath bottom slot position. \*\*\*Cut under slot from minimum 30mm up to 85mm maximum. 30mm under the slot hole equates to underside of bottom rail being 30mm from ground level.
  - (B) Affix base plates to ground using appropriate fixtures (not supplied), 4 x fixings required per base plate. Base plate hole diameters are 16mm. Ensure correct orientation of base plate to line up slots with fence direction.
  - (C) Slide post over base plate and screw to base plate using appropriate tek screws (not supplied) at approximately 15mm from ground level. Ensure tek screws engage into the base plates. Use 6 screws total, 2 on slotted side, 2 on solid side and 1 on each wing. Ensure tek screws do not clash.
  - (D) Install 2-part domical cover at bottom of post to hide screws.
- \*\*\*Domical cover height is 37mm. If domical cover required, minimum distance under slot must be 40mm.

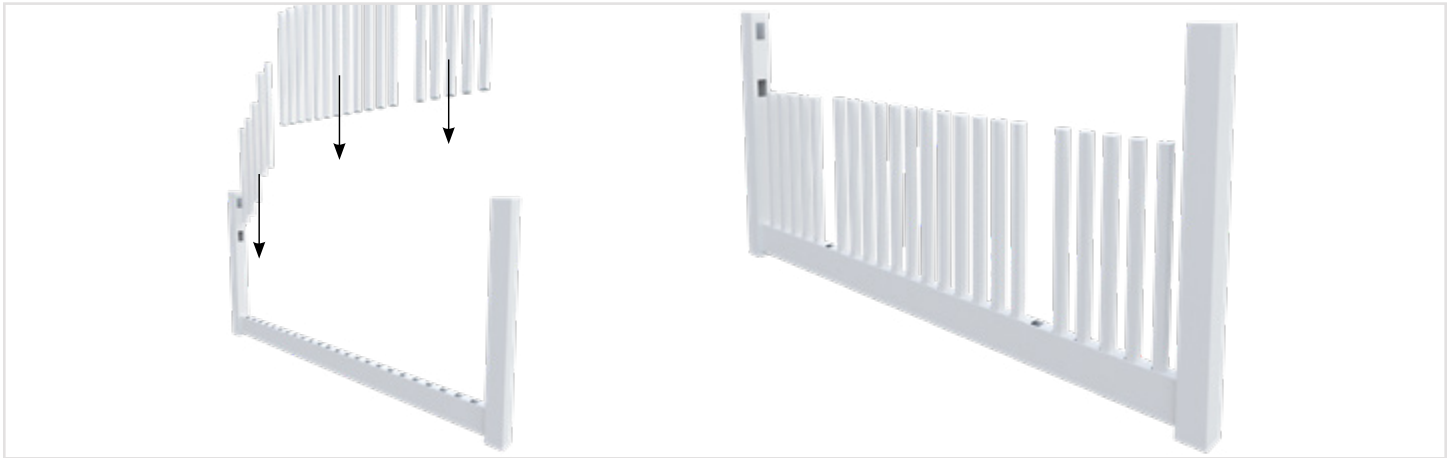


- 7 Top and bottom rails are supplied suited to 2450mm centre to centre post spacing. If using custom spacing, top, mid and bottom rails require width adjustment. Measure your installed posts from centre to centre. The top, mid and bottom rails need to be width adjusted to the centre to centre measurement minus 60mm. For cutting of top, mid and bottom rails, use a fine tooth blade to reduce chance of chipping (circular saws may leave rough edges).

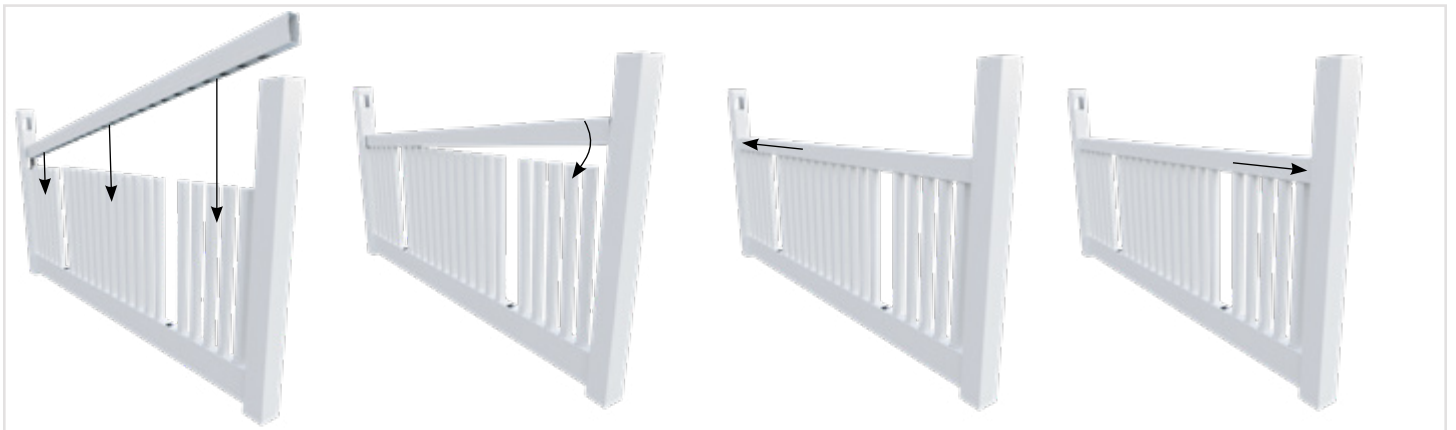


- 8 Slide bottom rail with aluminium insert into first post as far as possible and lever into adjacent post. Slide back bottom rail to ensure notches have passed into adjacent post. The bottom rail should recess into each post approx 20mm.

# SEMI PRIVACY FENCING INSTALL GUIDE



- 9 Install short pickets into bottom-rail leaving long pickets for subsequent step. The long pickets are positioned 6 pickets in from either end.



- 10 Push mid rail into slot on 1 post then lever into slot on adjacent post. Insert pickets as the mid-rail is levering down. Posts may flex to allow for insertion.

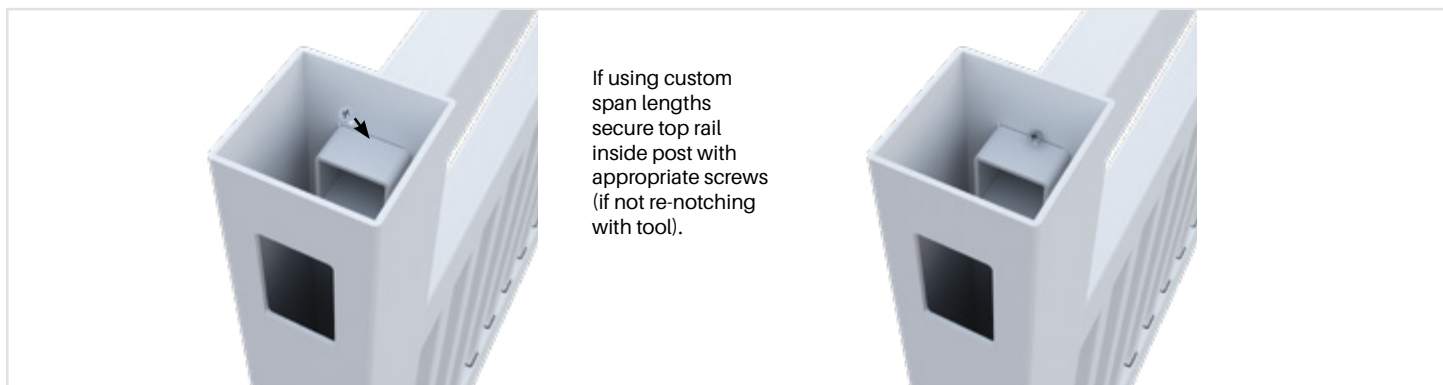


- 11 Insert long pickets through mid-rail and into bottom rail.  
NOTE: If panels width adjusted and therefore horizontal rail widths adjusted, you may need to cut suitable holes through mid-rail and on underside of top-rail to allow for longer pickets to pass through. As standard, the longer pickets are evenly spaced from either end. You should consider this during fence layout planning.

# SEMI PRIVACY FENCING INSTALL GUIDE



- 12 Install top rail over long pickets guiding pickets into holes on underside of top rail. Insert top rail into one post and then lever into adjacent post.



- \*\* If using custom lengths, re-notch the tongues with notching tool (sold separately) or secure top rail in place on post using appropriate screws. Note: The top rail should recess into each post approx 20mm



- 13 Repeat process for remaining posts. Apply silicone to inner of top caps and press on to each post to finish.